

ANT-WSB-AHRM-05-1.5m Series

2.4 GHz omni-directional indoor high gain rubber antennas



Features and Benefits

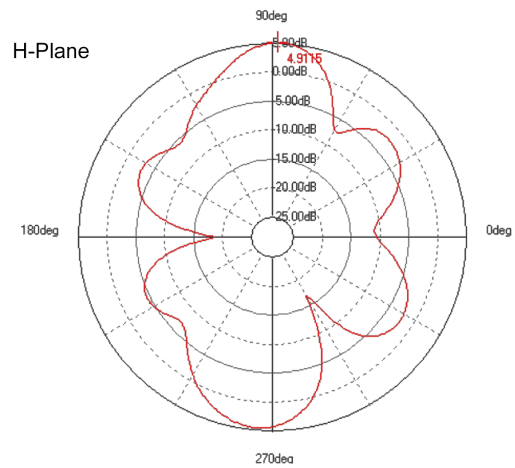
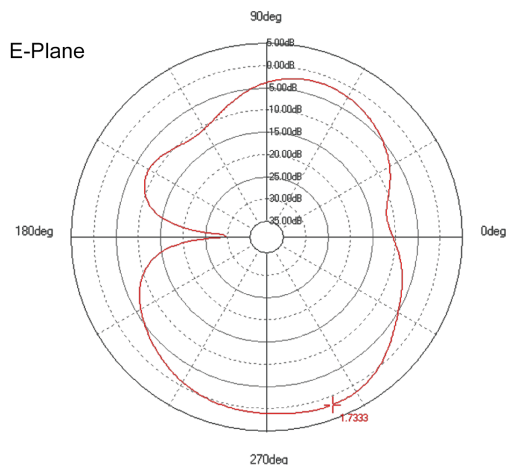
- High gain antenna
- Small size for easy installation
- Lightweight for portable deployment
- Straight mount or magnetic base mount
- SMA connector (male) supported

Introduction

The ANT-WSB-AHRM-05-1.5m is an omni-directional lightweight compact dual-band high-gain indoor antenna with a SMA (male) connector and magnetic mount. The antenna provides a gain of 5 dBi and is designed to operate in temperatures from -40 to 80°C.

Field Patterns

Frequency: 2.4 GHz



Specifications

Antenna Characteristics

Frequency	2.4 to 2.5 GHz
Antenna Type	Omni-directional, Rubber antenna
Typical Antenna Gain	5 dBi
Connector	RP-SMA (male)
Impedance	50 ohms

Polarization	Linear
HPBW/Horizontal	360°
HPBW/Vertical	80°
V.S.W.R.	2:1 max.

Physical Characteristics

Weight	300 g (0.66 lb)
Length (including base)	236 mm (9.29 in)
Radome Color	Black
Radome Material	Plastic
Installation	Magnetic mount
Cable	RG-174
Cable Length	1.5 m

Environmental Limits

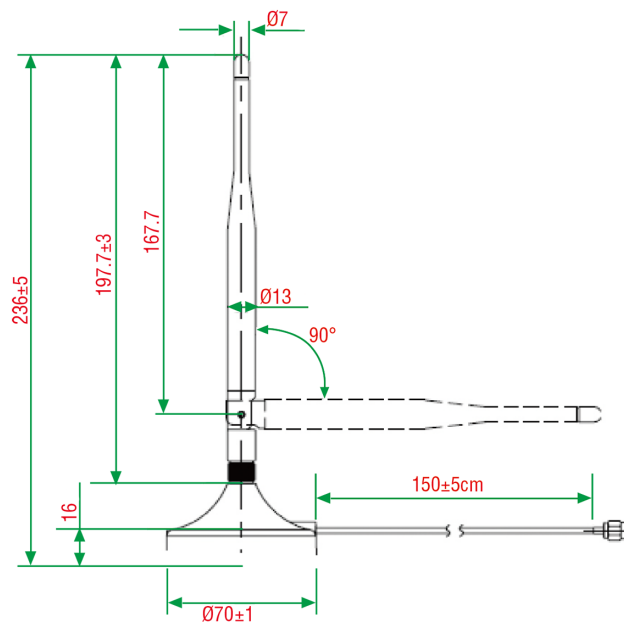
Operating Temperature	-40 to 80°C (-40 to 176°F)
Storage Temperature (package included)	-40 to 80°C (-40 to 176°F)
Ambient Relative Humidity	5 to 95% (30°C, non-condensing)

Warranty

Warranty Period	1 year
Details	See www.moxa.com/warranty

Dimensions

Unit: mm



Ordering Information

Model Name	Frequency	Antenna Type	Antenna Gain	Connector
ANT-WSB-AHRM-05-1.5m	2.4 to 2.5 GHz	Omni-directional, Rubber antenna	5 dBi	RP-SMA (male)

© Moxa Inc. All rights reserved. Updated Nov 12, 2018.

This document and any portion thereof may not be reproduced or used in any manner whatsoever without the express written permission of Moxa Inc. Product specifications subject to change without notice. Visit our website for the most up-to-date product information.