

DA-820-Ethernet Series Expansion Modules

Expansion modules with 2-port 100 Mbps / 1000 Mbps SFP LAN



Features and Benefits

- 2-port 1000 Mbps SFP fiber module (SFP module excluded)
- 2-port 100 Mbps SFP fiber module (SFP module excluded)

Certifications

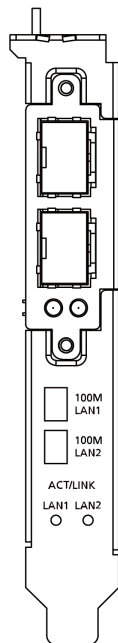


Introduction

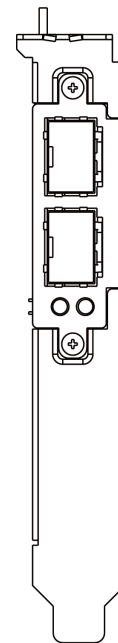
The DA-820-Ethernet Series Expansion Modules, with choice of 100 Mbps, 1000 Mbps Fiber LAN ports, provide flexibility for industrial applications. The 2-port Fiber LAN modules are suitable for industrial communication applications with Ethernet-based devices.

Appearance

DE-FX02-SFP-T



DA-GX02-SFP-T



Specifications

Environmental Limits

Operating Temperature	-40 to 70°C (-40 to 158°F)
Storage Temperature (package included)	-40 to 85°C (-40 to 185°F)

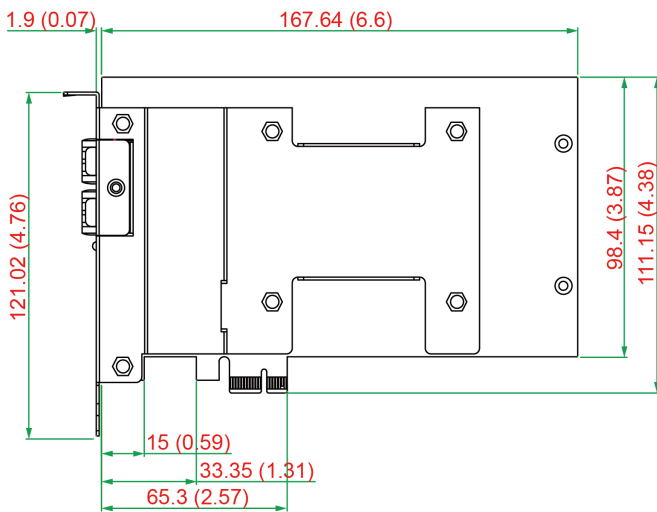
Physical Characteristics

Weight	DE-FX02-SFP-T: 218 g (0.48 lb) DA-GX02-SFP-T: 215 g (0.47 lb)
Declaration	
Green Product	RoHS, CRoHS, WEEE
MTBF	
Time	DE-FX02-SFP-T: 1,403,659 hrs DA-GX02-SFP-T: 14,380,330 hrs
Standards	Telcordia (Bellcore), GB
Warranty	
Warranty Period	3 years
Details	See www.moxa.com/warranty
Package Contents	
Device	1 x DA-820-Ethernet Series expansion module
Documentation	1 x warranty card

Dimensions

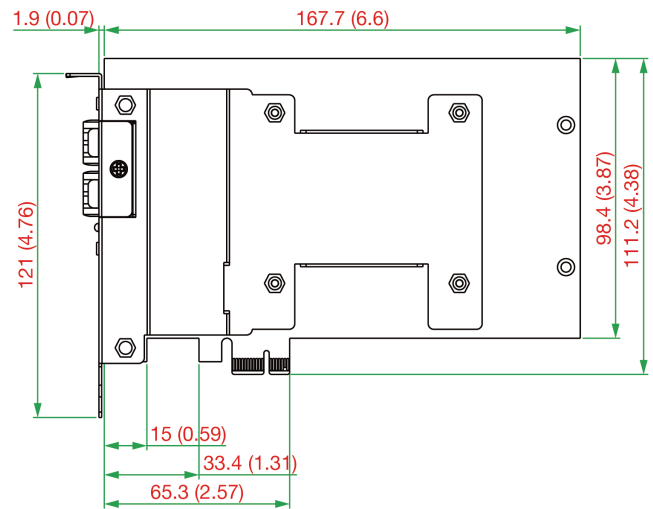
DE-FX02-SFP-T

Unit: mm (inch)



DA-GX02-SFP-T

Unit: mm (inch)



Ordering Information

Model Name	Port	100 Mbps	100/1000 Mbps	1000 Mbps	RJ45	SFP
DE-FX02-SFP-T	2	✓	-	✓	-	✓
DA-GX02-SFP-T	2	-	-	✓	-	✓

© Moxa Inc. All rights reserved. Updated Feb 07, 2025.

This document and any portion thereof may not be reproduced or used in any manner whatsoever without the express written permission of Moxa Inc. Product specifications subject to change without notice. Visit our website for the most up-to-date product information.