

# INJ-24 Series

## Gigabit IEEE 802.3af/at PoE+ injectors



### Features and Benefits

- PoE+ injector for 10/100/1000M networks; injects power and sends data to PDs (power devices)
- IEEE 802.3af/at compliant; supports a full 30 watt output
- 24/48 VDC wide range power input
- -40 to 75°C operating temperature range (-T model)

### Certifications



## Introduction

The INJ-24 is a Gigabit IEEE 802.3at PoE+ injector that combines power and data and delivers them to a powered device over one Ethernet cable. Designed for use with power-hungry devices, the INJ-24 injector provides PoE of up to 30 watts. The -40 to 75°C (-40 to 167°F) operating temperature capability makes the INJ-24 ideally suited to operating in harsh industrial environments.

## Specifications

### Ethernet Interface

10/100/1000BaseT(X) Ports (RJ45 connector)	1 Full/Half duplex mode Auto MDI/MDI-X connection Auto negotiation speed
PoE Ports (10/100/1000BaseT(X), RJ45 connector)	1 Full/Half duplex mode Auto MDI/MDI-X connection Auto negotiation speed
PoE Pinout	V+, V+, V-, V-, for pins 4, 5, 7, 8 (Midspan, MDI, Mode B)
Standards	IEEE 802.3 for 10BaseT IEEE 802.3u for 100BaseT(X) IEEE 802.3ab for 1000BaseT(X) IEEE 802.3af/at for PoE/PoE+ output

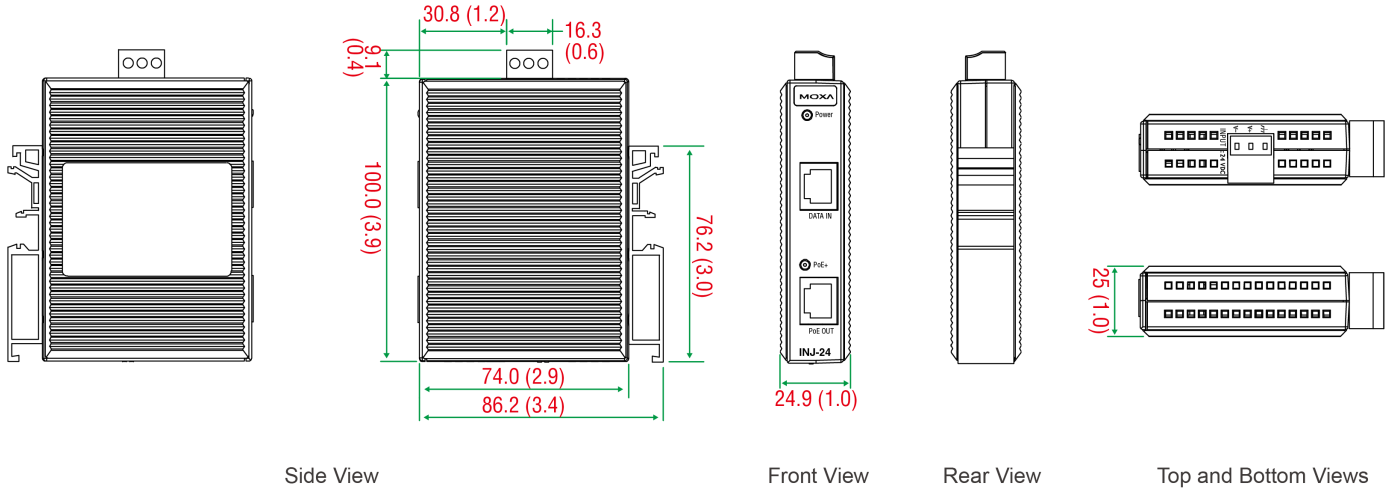
### Power Parameters

Input Voltage	24/48 VDC
Operating Voltage	22 to 57 VDC
Input Current	1.42 A @ 24 VDC
Power Consumption (Max.)	Max. 4.08 W full loading without PDs' consumption
Power Budget	Max. 30 W for total PD consumption Max. 30 W for each PoE port
Connection	1 removable 3-contact terminal block(s)

Overload Current Protection	Supported
Reverse Polarity Protection	Supported
<b>Physical Characteristics</b>	
Housing	Plastic
IP Rating	IP30
Dimensions	24.9 x 100 x 86.2 mm (0.98 x 3.93 x 3.39 in)
Weight	115 g (0.26 lb)
Installation	DIN-rail mounting
<b>Environmental Limits</b>	
Operating Temperature	INJ-24: 0 to 60°C (32 to 140°F) INJ-24-T: -40 to 75°C (-40 to 167°F)
Storage Temperature (package included)	-40 to 85°C (-40 to 185°F)
Ambient Relative Humidity	5 to 95% (non-condensing)
<b>Standards and Certifications</b>	
Safety	UL 508 EN 62368-1
EMC	EN 55032/24
EMI	CISPR 32, FCC Part 15B Class A
EMS	IEC 61000-4-2 ESD: Contact: 6 kV; Air: 8 kV IEC 61000-4-3 RS: 80 MHz to 1 GHz: 10 V/m IEC 61000-4-4 EFT: Power: 2 kV; Signal: 1 kV IEC 61000-4-5 Surge: Power: 2 kV; Signal: 2 kV IEC 61000-4-6 CS: 10 V IEC 61000-4-8 PFMF
Freefall	IEC 60068-2-31
Shock	IEC 60068-2-27
Vibration	IEC 60068-2-6
<b>MTBF</b>	
Time	2,525,278 hrs
Standards	Telcordia (Bellcore), GB
<b>Warranty</b>	
Warranty Period	5 years
Details	See <a href="http://www.moxa.com/warranty">www.moxa.com/warranty</a>
<b>Package Contents</b>	
Device	1 x INJ-24 Series PoE+ injector
Documentation	1 x quick installation guide 1 x product certificates of quality inspection, Simplified Chinese 1 x product notice, Simplified Chinese 1 x warranty card

## Dimensions

Unit: mm (inch)



## Ordering Information

Model Name	10/100/1000BaseT(X) Ports 10RJ45 Connector	PoE Ports, 10/100/1000BaseT(X) 10RJ45 Connector	Operating Temp.
INJ-24	1	1	0 to 60°C
INJ-24-T	1	1	-40 to 75°C

## Accessories (sold separately)

### Power Supplies

MDR-40-24	DIN-rail 24 VDC power supply with 40W/1.7A, 85 to 264 VAC, or 120 to 370 VDC input, -20 to 70°C operating temperature
MDR-60-24	DIN-rail 24 VDC power supply with 60W/2.5A, 85 to 264 VAC, or 120 to 370 VDC input, -20 to 70°C operating temperature

### Rack-Mounting Kits

RK-4U	19-inch rack-mounting kit
-------	---------------------------

© Moxa Inc. All rights reserved. Updated Apr 22, 2024.

This document and any portion thereof may not be reproduced or used in any manner whatsoever without the express written permission of Moxa Inc. Product specifications subject to change without notice. Visit our website for the most up-to-date product information.