

# MAT-5G-PA-SM-4-05-1m Series

Wireless LTE/NR MIMO panel antennas with 4 SMA (male) connectors for cellular applications



## Features and Benefits

- Supports all global sub-6 5G bands
- High-gain antenna to enhance performance
- 4-in-1 LTE combination design
- Flexible installation
- 1-meter cable
- SMA connector (male) supported

## Introduction

The MAT-5G-PA-SM-4-05-1m Series is a 4-in-1 panel antenna suitable for LTE and sub-6 5G NR bands. The antenna provides a gain of 5 dBi and is designed to operate in temperatures ranging from -30 to 70°C.

## Specifications

### Antenna Characteristics

Frequency	698 to 960, 1710 to 2700, 3300 to 5925 MHz
Antenna Type	Panel
Typical Antenna Gain	3 dBi @ 698 to 960 MHz 4 dBi @ 1710 to 2700 MHz 5 dBi @ 3300 to 5925 MHz
Connector	SMA (male)
Impedance	50 ohms
Polarization	Linear Vertical

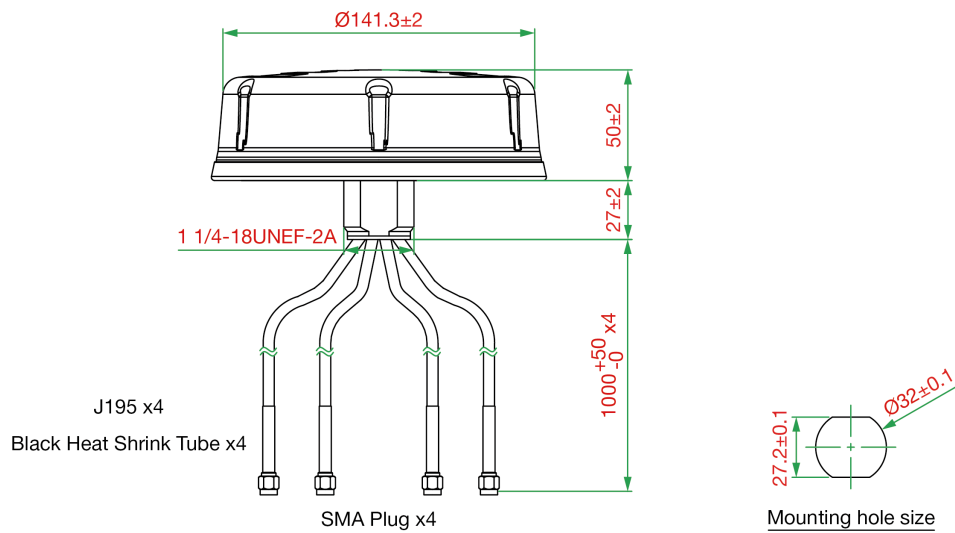
### Physical Characteristics

Dimensions	φ 141.3 x 50 mm (φ 5.56 x 1.97 in)
Radome Color	Black
Radome Material	Plastic
Installation	Pole mount Screw mount
Cable	J195

Cable Length	1 m
IP Rating	IP67
<b>Environmental Limits</b>	
Operating Temperature	-30 to 70°C (-22 to 158°F)
Storage Temperature	-40 to 85°C (-40 to 185°F)
Ambient Relative Humidity	5 to 95% (30°C, non-condensing)
<b>Warranty</b>	
Warranty Period	1 year
Details	See <a href="http://www.moxa.com/warranty">www.moxa.com/warranty</a>

## Dimensions

Unit: mm



## Ordering Information

Model Name	Frequency	Antenna Type	Antenna Gain	Connector Type
MAT-5G-PA-SM-4-05-1m	698 to 960 MHz, 1710 to 2700 MHz, 3300 to 5925 MHz	Panel	5 dBi	SMA (male)

© Moxa Inc. All rights reserved. Updated Apr 15, 2024.

This document and any portion thereof may not be reproduced or used in any manner whatsoever without the express written permission of Moxa Inc. Product specifications subject to change without notice. Visit our website for the most up-to-date product information.