

ANT-WSB-AHRM-05-1.5m

2.4 GHz omni-directional indoor high gain rubber antenna



- > High gain antenna
- > Small size for compact fit
- > Lightweight for portable deployment
- > Straight or magnetic base mount
- > SMA connector (male) supported

Specifications

Antenna Characteristics

Frequency: 2.4 to 2.5 GHz
Antenna Type: Omni-directional
Typical Antenna Gain: 5 dBi
Connector: RP-SMA (male)
Impedance: 50 ohms
Polarization: Linear, vertical
HPBW/horizontal: 360°
HPBW/vertical: 80°
V.S.W.R.: 2.0 max

Physical Characteristics

Cable Type: RG-174\
Cable Length: 1.5 m

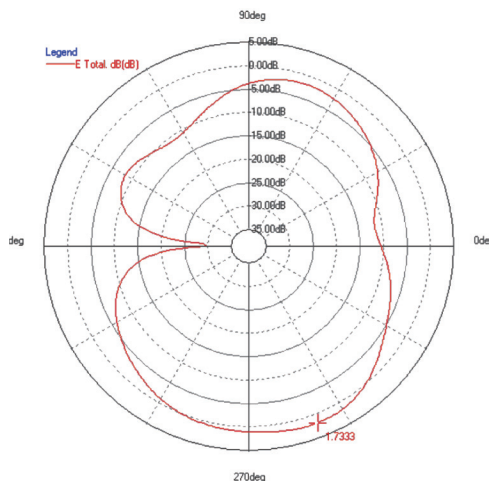
Weight: 300 g
Dimensions: Length=236 mm (including base)
Radome Color: Black
Radome Material: Plastic
Installation: Magnetic mount
Environmental Limits
Operating Temperature: -40 to 80°C (-40 to 176°F)
Storage Temperature: -40 to 80°C (-40 to 176°F)
Ambient Relative Humidity: 5 to 95% (30°C, non-condensing)

Warranty

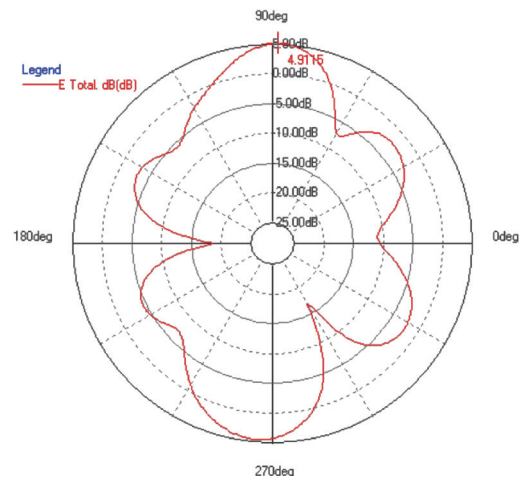
Warranty Period: 1 year
Details: See www.moxa.com/warranty

Field Patterns

E-plane

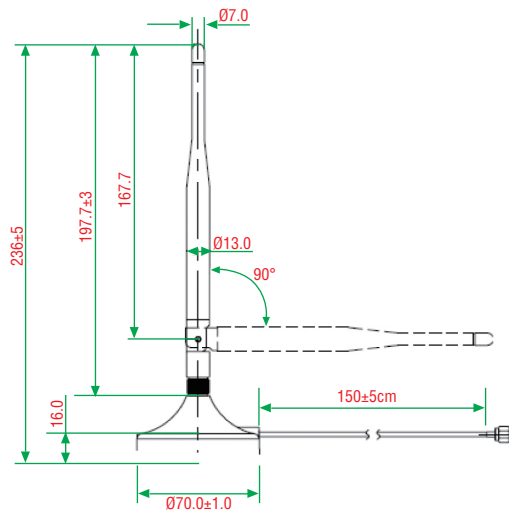


H-plane



Dimensions

Unit: mm (inch)



: Ordering Information

Available Models

ANT-WSB-AHRM-05-1.5m: 2.4 GHz, omni-directional antenna, 5 dBi, R-SMA (male), magnetic, 1.5 m

Can be used with the following products

Details: AWK-3121, AWK-3121-SSC, AWK-3131, AWK-5222, AWK-1121, AWK-1127, NPort W2150/2250 Plus, NPort W2004