

# IM Module Series

2-port Gigabit Ethernet and 4-port Fast Ethernet modules for the EDS-728/828 Series



## Features and Benefits

- Modular design lets you choose from a variety of media combinations
- Modular design makes port expansion easy

## Certifications



## Introduction

The IM Module Series has been designed for Moxa's EDS-728 Series and EDS-828 Series modular switches. The IM Module Series includes 6 Fast Ethernet modules, each with 4 ports supporting the TX, MSC, SSC, and MST media types. In addition, the IM Module Series includes 2 Gigabit Ethernet modules, one with 2 copper ports, and one with 2 fiber ports. Multiple modules can be used with the EDS-728 and EDS-828 switches, allowing each switch to support up to 24 Fast Ethernet ports and 4 Gigabit Ethernet ports.

## Specifications

### Ethernet Interface

10/100/1000BaseT(X) Ports (RJ45 connector)	IM-2GTX: 2, Auto negotiation speed, Auto MDI/MDI-X connection
1000BaseSFP Slots	IM-2GSFP: 2
10/100BaseT(X) Ports (RJ45 connector)	IM-2MSC/2TX, IM-2MST/2TX, IM-2SSC/2TX: 2 IM-1LSC/3TX: 3, IM-4TX: 4  Supported functions: Auto negotiation speed Full/Half duplex mode Auto MDI/MDI-X connection
100BaseFX Ports (multi-mode SC connector)	IM-2MSC/2TX: 2 IM-4MSC: 4
100BaseFX Ports (multi-mode ST connector)	IM-2MST/2TX: 2 IM-4MST: 4
100BaseFX Ports (single-mode SC connector)	IM-2SSC/2TX: 2 IM-4SSC: 4

100BaseFX Ports, Single-Mode SC Connector, 80 km	IM-1LSC/3TX: 1				
Optical Fiber			100BaseFX		
			Multi-Mode	Single-Mode	
	Fiber Cable Type		OM1	50/125 μm	G.652
				800 MHz x km	
	Typical Distance		4 km	5 km	40 km
	Wavelength	Typical (nm)		1300	
		TX Range (nm)		1260 to 1360	
		RX Range (nm)		1100 to 1600	
	Optical Power	TX Range (dBm)		-10 to -20	
		RX Range (dBm)		-3 to -32	
		Link Budget (dB)		12	
		Dispersion Penalty (dB)		3	
	<p>Note: When connecting a single-mode fiber transceiver, we recommend using an attenuator to prevent damage caused by excessive optical power.</p> <p>Note: Compute the “typical distance” of a specific fiber transceiver as follows: Link budget (dB) &gt; dispersion penalty (dB) + total link loss (dB).</p>				

<b>LED Interface</b>	
LED Indicators	Fast Ethernet Modules: PWR, P1, P2, P3, P4 port status Gigabit Modules: Port status

<b>Power Parameters</b>	
Power Consumption	IM-1LSC/3TX: 2.12 W (max.) IM-2GSFP: 2.96 W (max.) IM-2GTX: 3.04 W (max.) IM-2MSC/2TX, IM-2MST/2TX, IM-2SSC/2TX: 2.06 W (max.) IM-4MSC, IM-4MST, IM-4SSC: 6.6 W (max.) IM-4TX: 1.29 W (max.)

<b>Physical Characteristics</b>	
Housing	IP30
Dimensions	Fast Ethernet Modules: 40 x 127.8 x 100 mm (1.57 x 5.03 x 3.94 in) Gigabit Modules: 24 x 65.9 x 101.1 mm (0.94 x 2.59 x 3.98 in)
Weight	IM-1LSC/3TX: 235 g (0.52 lb) IM-2GSFP: 150 g (0.33 lb) IM-2GTX: 148 g (0.33 lb) IM-2MSC/2TX, IM-2SSC/2TX: 245 g (0.54 lb) IM-2MST/2TX, IM-4MSC: 250 g (0.56 lb) IM-4MST, IM-4SSC: 270 g (0.6 lb) IM-4TX: 215 g (0.48 lb)

<b>MTBF</b>	
Standards	Telcordia (Bellcore), GB

<b>Warranty</b>	
Warranty Period	5 years
Details	See <a href="http://www.moxa.com/warranty">www.moxa.com/warranty</a>

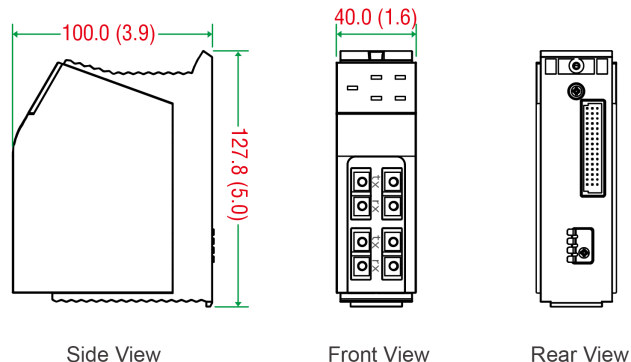
## Package Contents

Device	1 x IM Module Series module
Documentation	1 x warranty card

## Dimensions

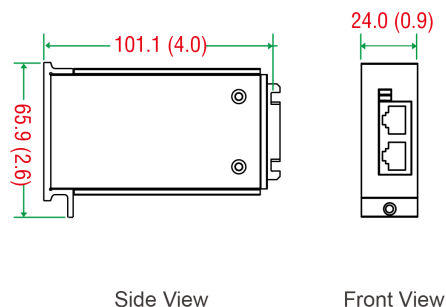
### Fast Ethernet Interface Modules

Unit: mm (inch)



### Gigabit Ethernet Interface Modules

Unit: mm (inch)



Side View

Front View

## Ordering Information

Model Name	10/100/1000BaseT(X) Ports RJ45 Connector	1000Base SFP	10/100BaseT(X) Ports RJ45 Connector	100BaseFX Ports Multi-Mode SC Connector	100BaseFX Ports Multi-Mode ST Connector	100BaseFX Ports Single-Mode SC Connector	100BaseFX Ports Single-Mode SC Connector, 80 km
IM-2GTX	2	-	-	-	-	-	-
IM-2GSFP	-	2	-	-	-	-	-
IM-4TX	-	-	4	-	-	-	-
IM-4MSC	-	-	-	4	-	-	-
IM-4MST	-	-	-	-	4	-	-
IM-2MSC/2TX	-	-	2	2	-	-	-
IM-2MST/2TX	-	-	2	-	2	-	-
IM-4SSC	-	-	-	-	-	4	-
IM-2SSC/2TX	-	-	2	-	-	2	-
IM-1LSC/3TX	-	-	3	-	-	-	1

## Accessories (sold separately)

### SFP Modules

SFP-1G10ALC	WDM-type (BiDi) SFP module with 1 1000BaseSFP port with LC connector for 10 km transmission; TX 1310 nm, RX 1550 nm, 0 to 60°C operating temperature
SFP-1G10ALC-T	WDM-type (BiDi) SFP module with 1 1000BaseSFP port with LC connector for 10 km transmission; TX 1310 nm, RX 1550 nm, -40 to 85°C operating temperature
SFP-1G10BLC	WDM-type (BiDi) SFP module with 1 1000BaseSFP port with LC connector for 10 km transmission; TX 1550 nm, RX 1310 nm, 0 to 60°C operating temperature
SFP-1G10BLC-T	WDM-type (BiDi) SFP module with 1 1000BaseSFP port with LC connector for 10 km transmission; TX 1550 nm, RX 1310 nm, -40 to 85°C operating temperature
SFP-1G20ALC	WDM-type (BiDi) SFP module with 1 1000BaseSFP port with LC connector for 20 km transmission; TX 1310 nm, RX 1550 nm, 0 to 60°C operating temperature

SFP-1G20ALC-T	WDM-type (BiDi) SFP module with 1 1000BaseSFP port with LC connector for 20 km transmission; TX 1310 nm, RX 1550 nm, -40 to 85°C operating temperature
SFP-1G20BLC	WDM-type (BiDi) SFP module with 1 1000BaseSFP port with LC connector for 20 km transmission; TX 1550 nm, RX 1310 nm, 0 to 60°C operating temperature
SFP-1G20BLC-T	WDM-type (BiDi) SFP module with 1 1000BaseSFP port with LC connector for 20 km transmission; TX 1550 nm, RX 1310 nm, -40 to 85°C operating temperature
SFP-1G40ALC	WDM-type (BiDi) SFP module with 1 1000BaseSFP port with LC connector for 40 km transmission; TX 1310 nm, RX 1550 nm, 0 to 60°C operating temperature
SFP-1G40ALC-T	WDM-type (BiDi) SFP module with 1 1000BaseSFP port with LC connector for 40 km transmission; TX 1310 nm, RX 1550 nm, -40 to 85°C operating temperature
SFP-1G40BLC	WDM-type (BiDi) SFP module with 1 1000BaseSFP port with LC connector for 40 km transmission; TX 1550 nm, RX 1310 nm, 0 to 60°C operating temperature
SFP-1G40BLC-T	WDM-type (BiDi) SFP module with 1 1000BaseSFP port with LC connector for 40 km transmission; TX 1550 nm, RX 1310 nm, -40 to 85°C operating temperature
SFP-1GEZXLC	SFP module with 1 1000BaseEZ port with LC connector for 110 km transmission, 0 to 60°C operating temperature
SFP-1GEZXLC-120	SFP module with 1 1000BaseEZ port with LC connector for 120 km transmission, 0 to 60°C operating temperature
SFP-1GLHLC	SFP module with 1 1000BaseLH port with LC connector for 30 km transmission, 0 to 60°C operating temperature
SFP-1GLHLC-T	SFP module with 1 1000BaseLH port with LC connector for 30 km transmission, -40 to 85°C operating temperature
SFP-1GLHXLC	SFP module with 1 1000BaseLHX port with LC connector for 40 km transmission, 0 to 60°C operating temperature
SFP-1GLHXLC-T	SFP module with 1 1000BaseLHX port with LC connector for 40 km transmission, -40 to 85°C operating temperature
SFP-1GLSXLC	SFP module with 1 1000BaseLSX port with LC connector for 500 m transmission, 0 to 60°C operating temperature
SFP-1GLSXLC-T	SFP module with 1 1000BaseLSX port with LC connector for 500 m transmission, -40 to 85°C operating temperature
SFP-1GLXLC	SFP module with 1 1000BaseLX port with LC connector for 10 km transmission, 0 to 60°C operating temperature
SFP-1GLXLC-T	SFP module with 1 1000BaseLX port with LC connector for 10 km transmission, -40 to 85°C operating temperature
SFP-1GSXLC	SFP module with 1 1000BaseSX port with LC connector for 300/550 m transmission, 0 to 60°C operating temperature
SFP-1GSXLC-T	SFP module with 1 1000BaseSX port with LC connector for 300/550 m transmission, -40 to 85°C operating temperature
SFP-1GZXLC	SFP module with 1 1000BaseZX port with LC connector for 80 km transmission, 0 to 60°C operating temperature
SFP-1GZXLC-T	SFP module with 1 1000BaseZX port with LC connector for 80 km transmission, -40 to 85°C operating temperature

© Moxa Inc. All rights reserved. Updated Nov 12, 2018.

This document and any portion thereof may not be reproduced or used in any manner whatsoever without the express written permission of Moxa Inc. Product specifications subject to change without notice. Visit our website for the most up-to-date product information.